



Royal Industrial Suppliers

Quality Fasteners Specialist

No. 4, M.G.S. Complex, Benki Nawab Street, S.P. Road Cross, Bangalore 560002

An ISO 9001:2015 Certified Co



8310165941 / 9008782885

sales@royalfastenersindia.com



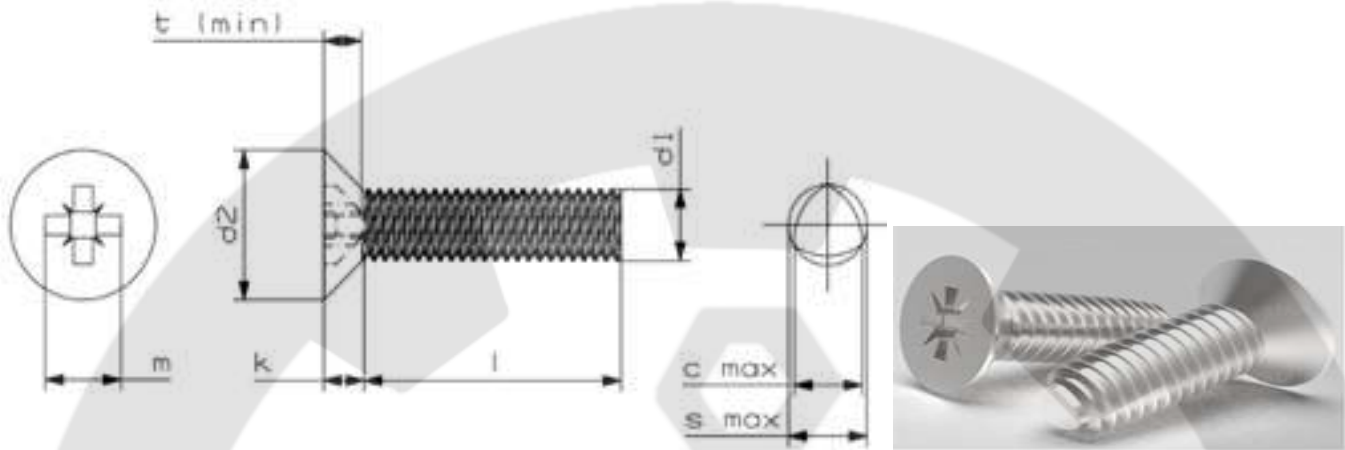
www.royalfastenersindia.com

CSK POZI TAPTITE (THREAD FORMING) SCREW

CATALOGUE NUMBER: **R4P21T**

DIN 7500 CSK POZI Type ME

ISI 304 A2



Parameter ↓	Size →	M2.5x0.45	M3x0.5	M4x0.7	M5x0.8	M6x1.0
Head Dia (dk)		4.40	5.20	8.04	8.94	10.90
Head Thickness (k)		1.50	1.65	2.70	2.70	3.30
Drive	Pz	Pz1	Pz1	Pz2	Pz2	Pz3

Send your Orders / Enquiries along with the following Item Codes

All Dimensions are in MM

Length ↓	Dia →	M2.5x0.45	M3x0.5	M4x0.7	M5x0.8	M6x1.0
4		R4P21T20504				
5		R4P21T20505	R4P21T03005			
6		R4P21T20506	R4P21T03006	R4P21T04006		
8		R4P21T20508	R4P21T03008	R4P21T04008	R4P21T05008	
10		R4P21T20510	R4P21T03010	R4P21T04010	R4P21T05010	R4P21T06010
12		R4P21T20512	R4P21T03012	R4P21T04012	R4P21T05012	R4P21T06012
16		R4P21T20516	R4P21T03016	R4P21T04016	R4P21T05016	R4P21T06016
20		R4P21T20520	R4P21T03020	R4P21T04020	R4P21T05020	R4P21T06020
25		R4P21T20525	R4P21T03025	R4P21T04025	R4P21T05025	R4P21T06025
30		R4P21T20530	R4P21T03030	R4P21T04030	R4P21T05030	R4P21T06030
35		R4P21T20535	R4P21T03035	R4P21T04035	R4P21T05035	R4P21T06035
40		R4P21T20540	R4P21T03040	R4P21T04040	R4P21T05040	R4P21T06040
45		R4P21T20545	R4P21T03045	R4P21T04045	R4P21T05045	R4P21T06045
50		R4P21T03050	R4P21T03050	R4P21T04050	R4P21T05050	R4P21T06050

Sizes in BLUE are non-preferred. Availability is limited and MOQ is higher.

Data is strictly informative.

Note: All Austenitic Stainless Steel Fasteners may exhibit some Magnetic Properties due to the Manufacturing Process.

Refer: ISO 3506-2 Annex F